

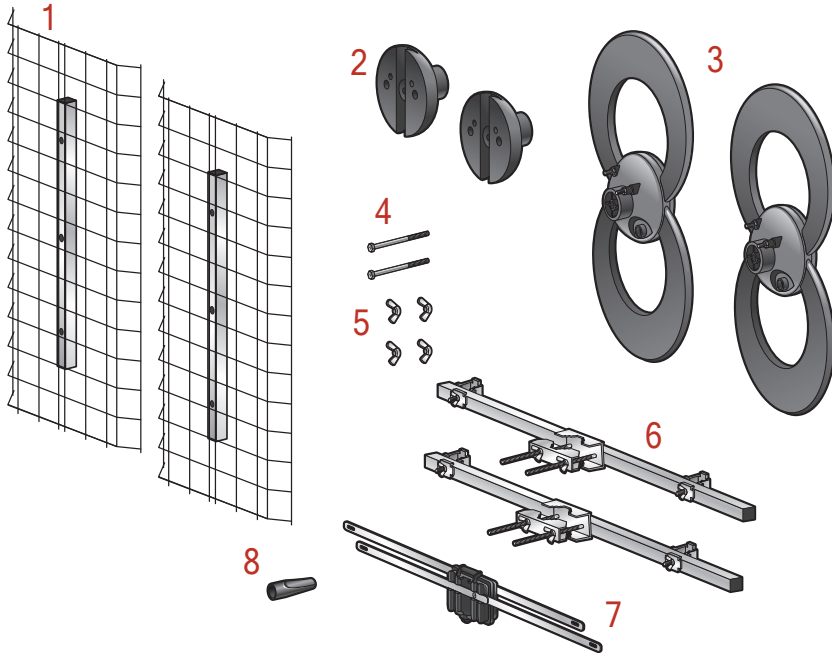
# CLEARSTREAM 4™

**Before attaching the antenna to any surface, TEST RECEPTION in that area.**

Connect the antenna to the TV or receiver and run a full channel scan.  
If reception is not as desired, move the antenna and rescan TV/receiver.

Tools Required: Adjustable Wrench, Power Drill, 5/16" Drill Bit, Medium-sized Cross Point Screwdriver.

Before beginning assembly, make sure all pieces needed are present.



The CLEARSTREAM 4™ comes with:

- 1) 2 Reflectors
- 2) Loop Element Bases
- 3) 2 Sets of Loop Elements
- 4) 2 Bolts
- 5) 4 Wing Nuts
- 6) 2 Cross Bars with Mounting Hardware Attached and 2 Mast Clamps
- 7) Combiner Bars with 75 Ohm Transformer
- 8) Weather Boot

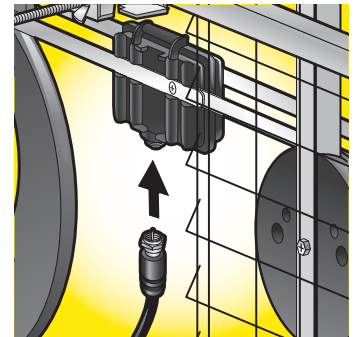
## Outdoor Roof Mount



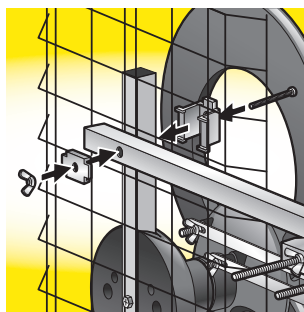
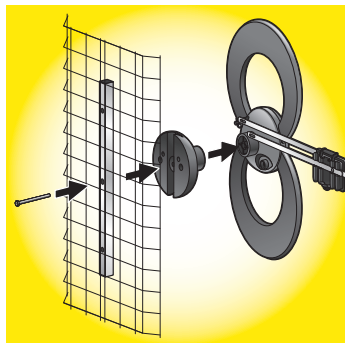
Position loop elements (3) so Antennas Direct logo on each is in same orientation. Attach combiner bars (7) to each terminal on the back of each loop element (3) (two attachments on each loop element). Secure with supplied wing nuts (5).

4

Attach coax cable to 75 Ohm transformer (7).



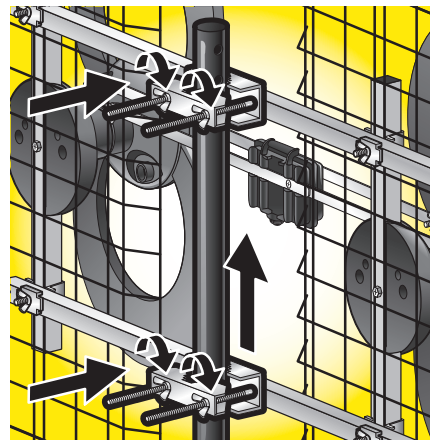
2 Fit circular base (2) to reflector (1), then thread supplied bolt (4) through the aluminum bar passing through the hole in the base. Repeat this step for the 2nd loop element (3).



3 Attach the two cross bars (6) (with mounting hardware) to the rear of the reflector (1) by removing the back clamp, threading screw and clamp back on and screwing on wing nut (5). Note: Screws should be poking through the back of the reflector.

5

Loosen mast clamp wing nuts enough to slide mast (mast sold separately) between mast clamps. After mast is inserted, tighten wing nuts on mast clamps. Assembly Complete. 75 Ohm coax "F" connector should be facing down. NOTE: For outside installation, we have included a weather boot (8), which can be cut to cable connector size.



**Call Our HELP LINE at 877-825-5572**

One of our specialists can talk you through any problems you may have.



**Warning!** Keep Away From Power Lines.